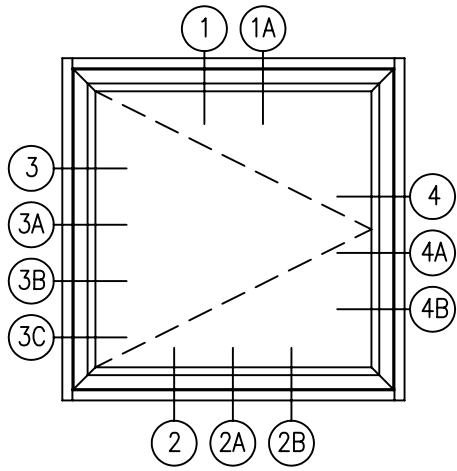
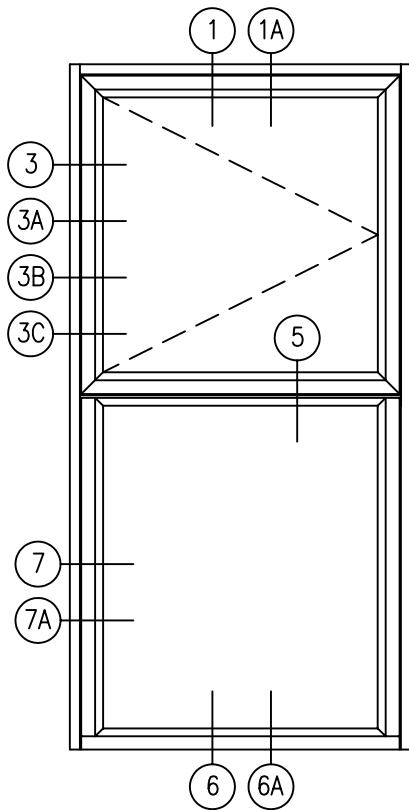


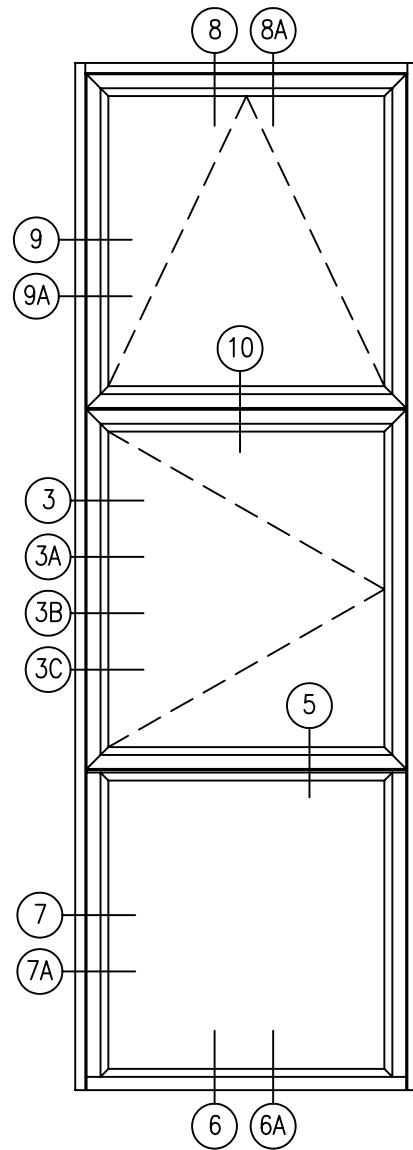
SCALE: NONE



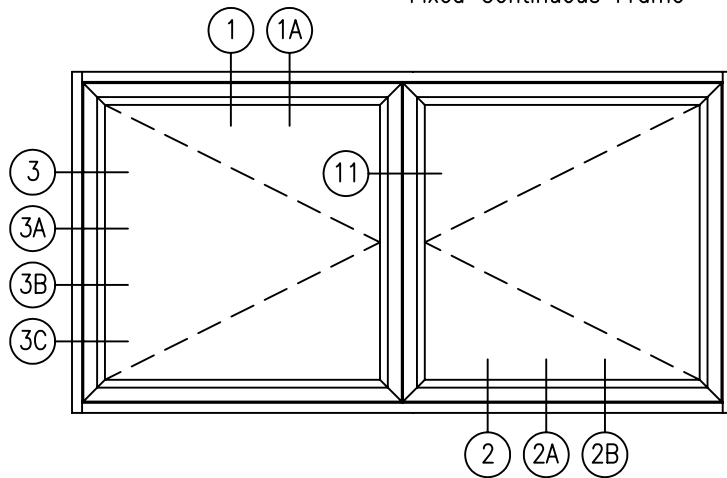
Casement Out  
Continuous Frame



Casement Out/Fixed  
Continuous Frame

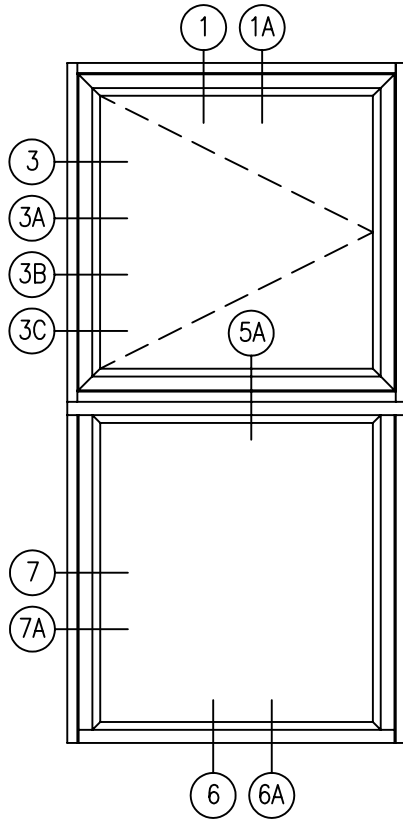


Projected Out/Casement Out/  
Fixed Continuous Frame

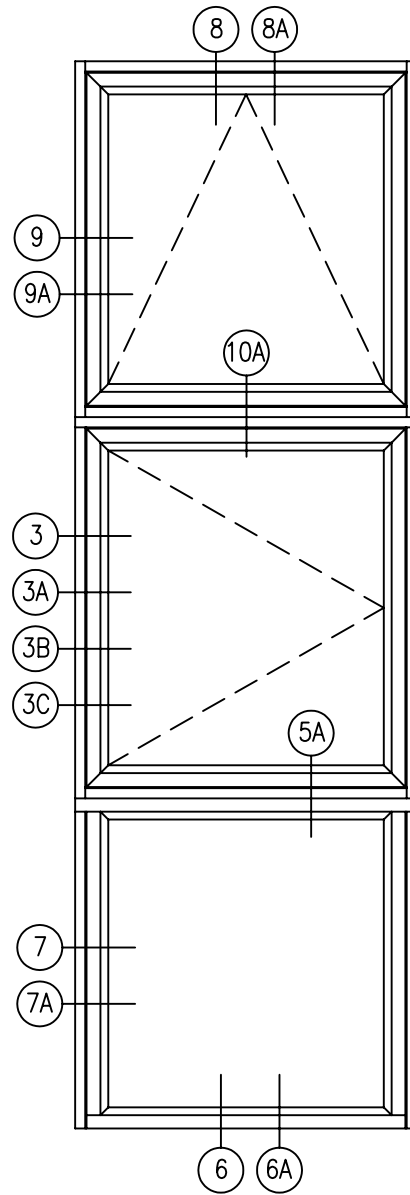


Casement Out/Casement Out  
Continuous Frame

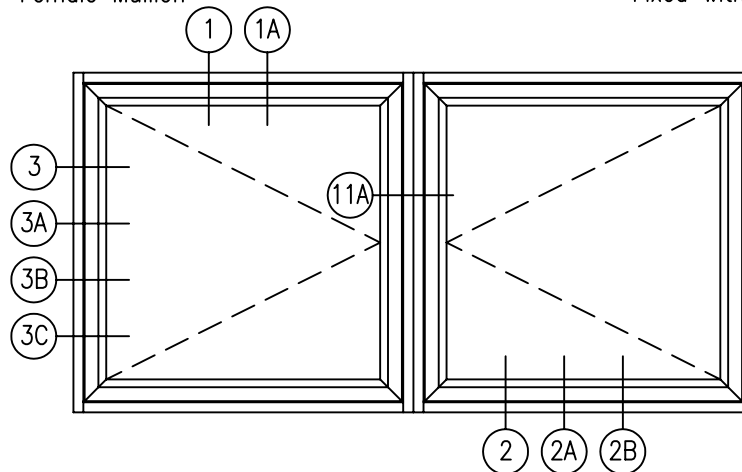
All Elevations are viewed outside looking in.



Casement Out/Fixed  
with Male-Female Mullion

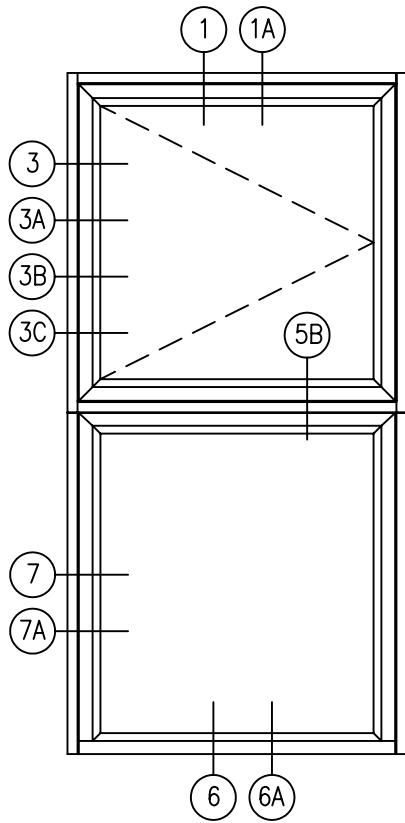


Projected Out/Casement Out/  
Fixed with Male-Female Mullion

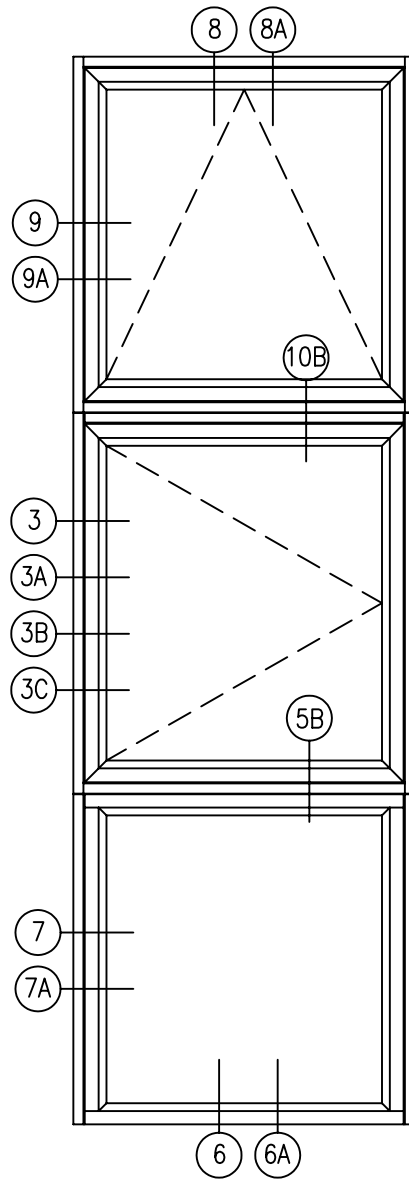


Casement Out/Casement Out  
with Male-Female Mullion

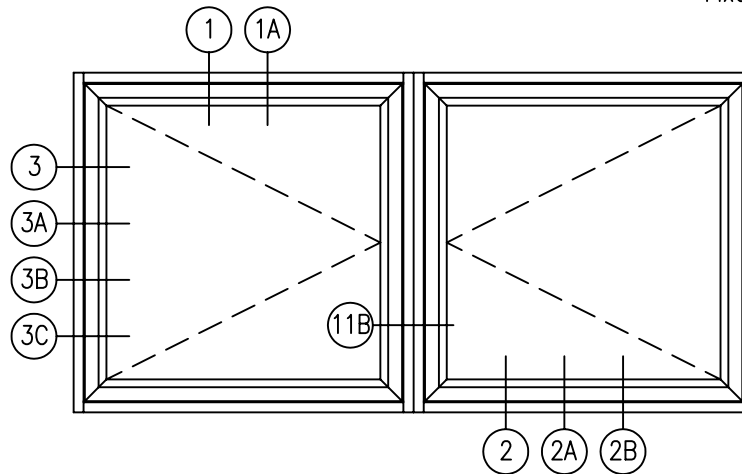
All Elevations are viewed outside looking in.



Casement Out/Fixed  
with H Mullion



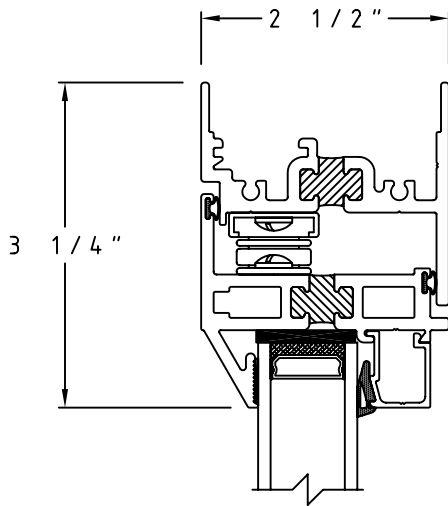
Projected Out/Casement Out/  
Fixed with H Mullion



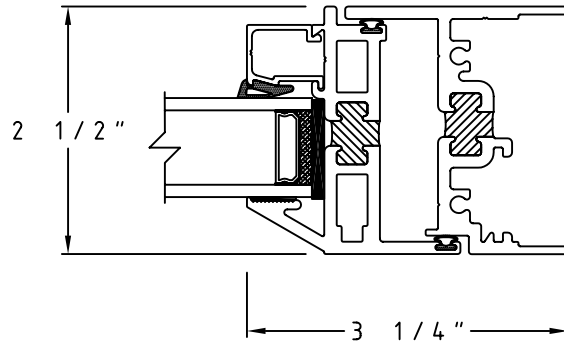
Casement Out/Casement Out  
with H Mullion

All Elevations are viewed outside looking in.

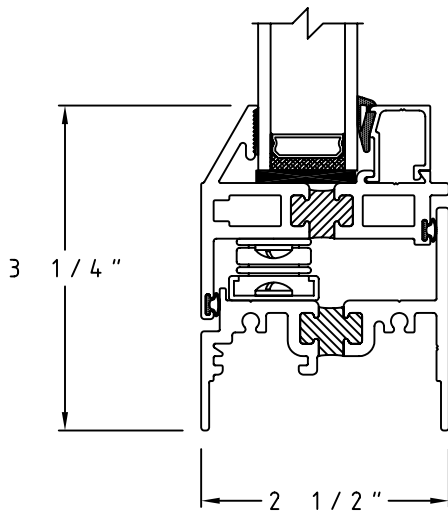
SCALE: HALF



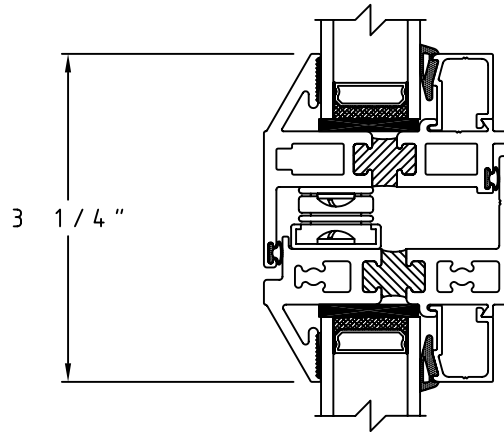
① Head Detail



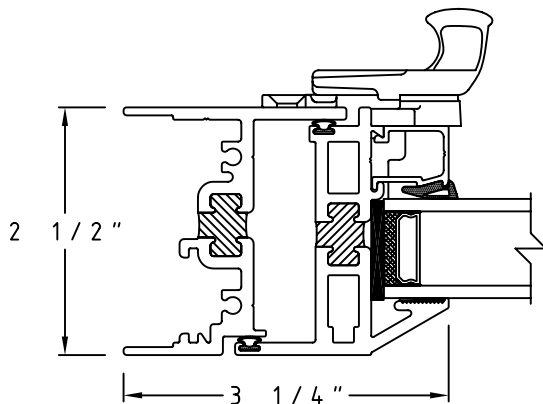
④ Jamb Detail



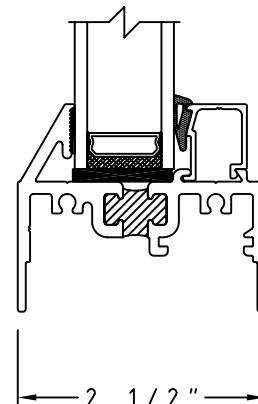
② Sill Detail



⑤ Casement Out/Fixed Mullion Detail

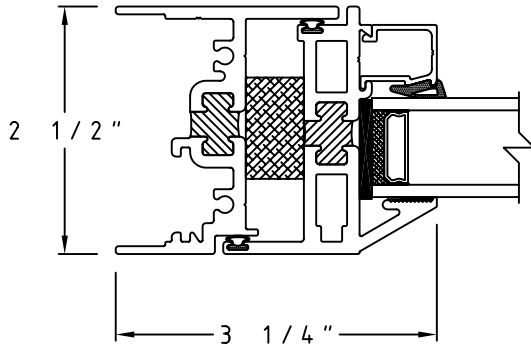


③ Jamb Detail

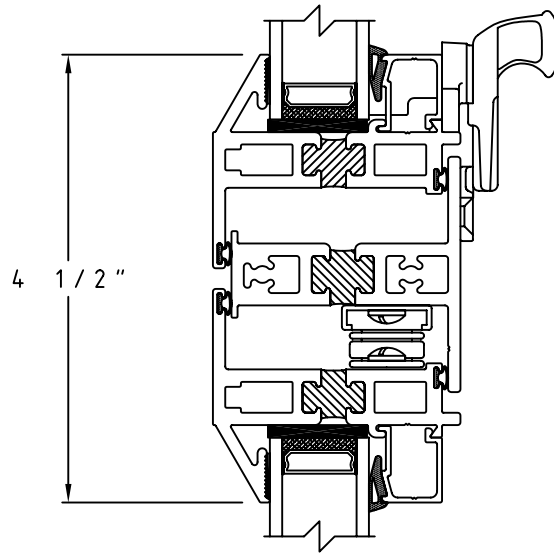


⑥ Fixed Sill Detail

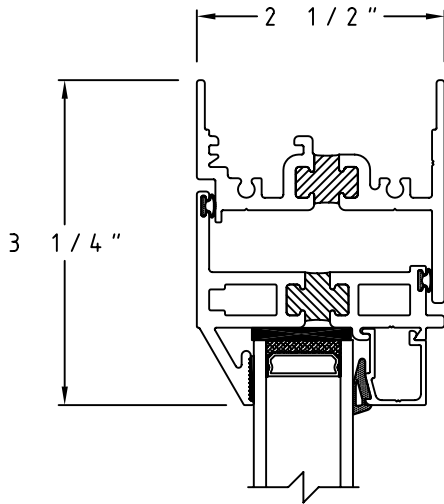
SCALE: HALF



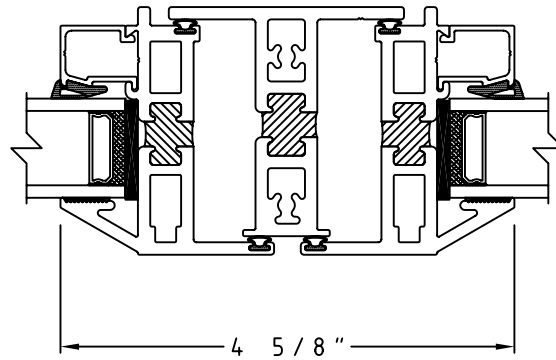
7 Fixed Jamb Detail



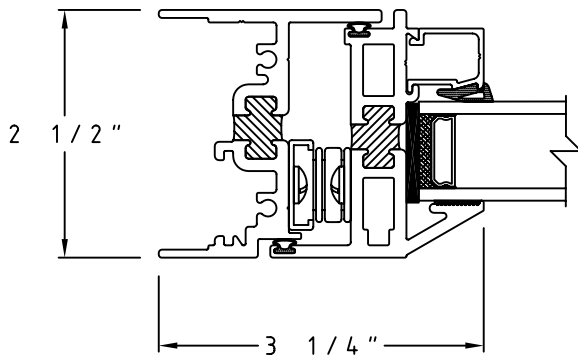
10 Projected Out/Casement Out Mullion Detail



8 Projected Out Head Detail

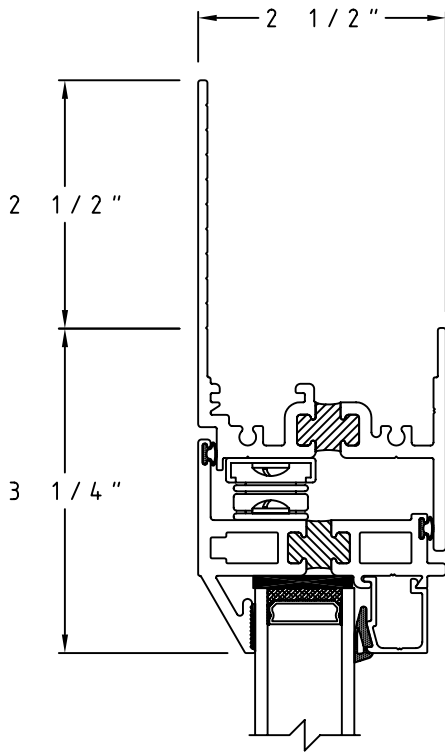


11 Casement Out/Casement Out Mullion Detail

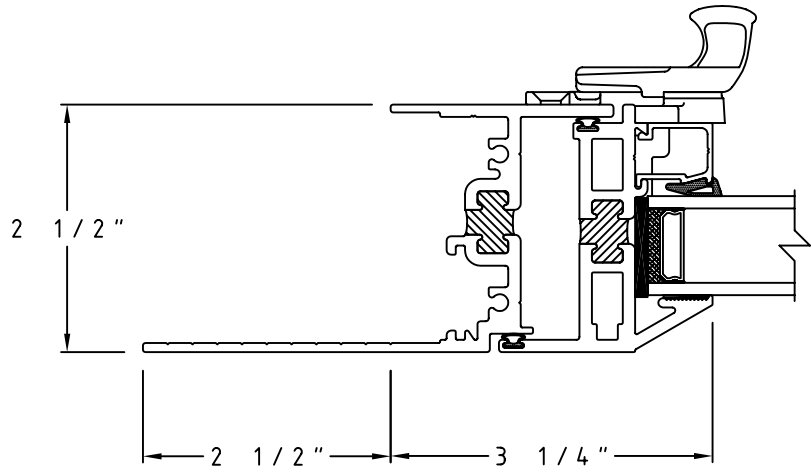


9 Projected Out Jamb Detail

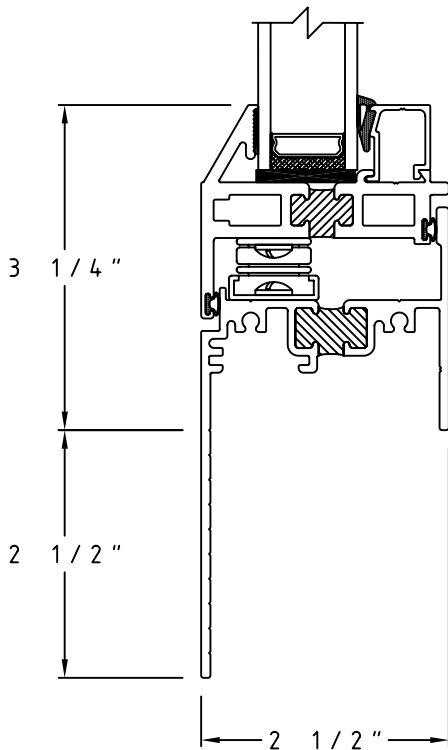
SCALE: HALF



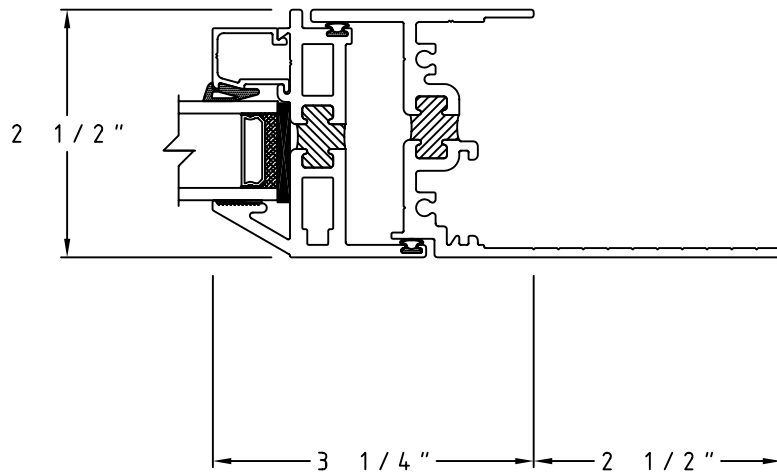
①A 2 1/2" Flange Casement Out Head Detail



③A 2 1/2" Flange Casement Out Jamb Detail

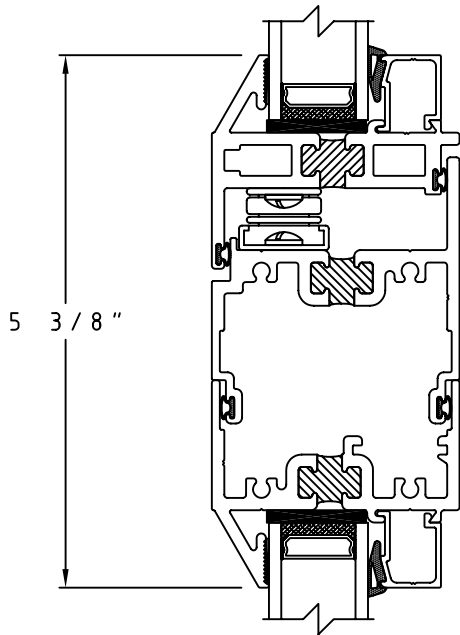


②A 2 1/2" Flange Casement Out Sill Detail

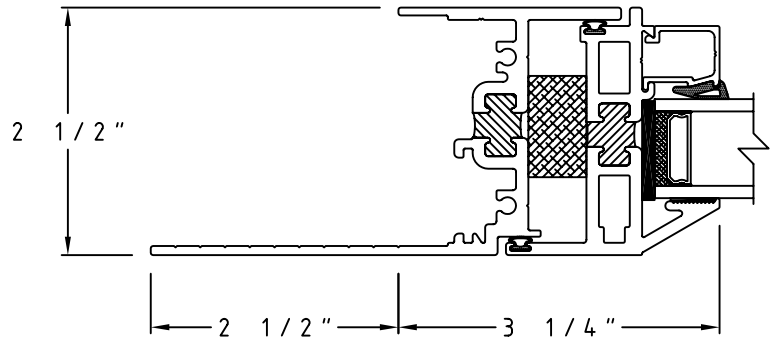


④A 2 1/2" Flange Casement Out/Fixed Jamb Detail

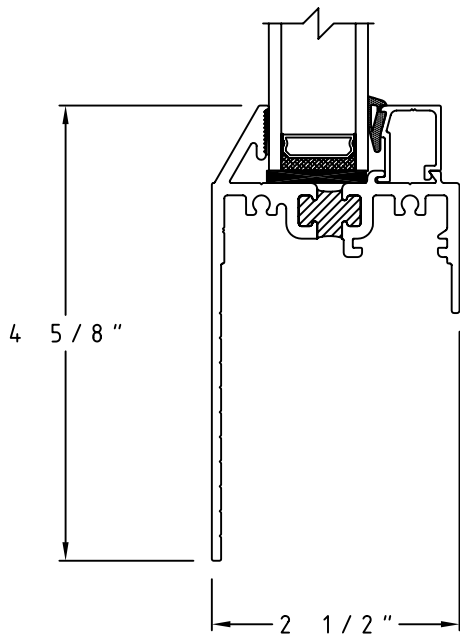
SCALE: HALF



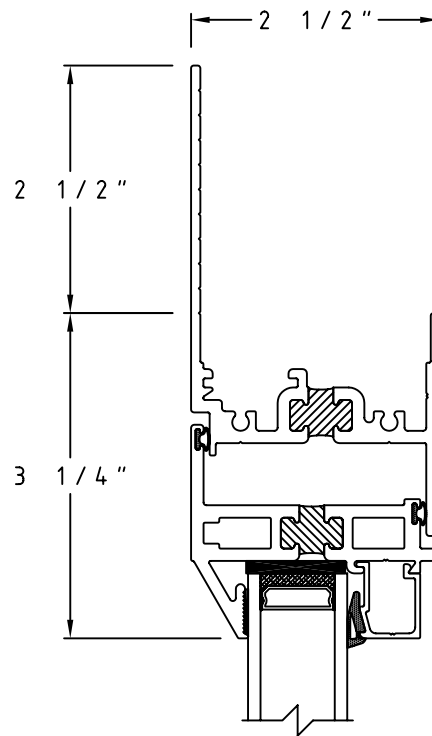
5A Casement Out/Fixed with Male Female Mullion



7A 2 1/2" Flange Fixed Jamb Detail

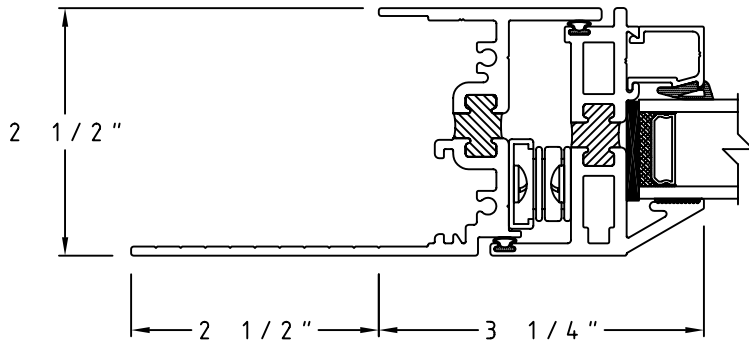


6A 2 1/2" Flange Fixed Sill Detail

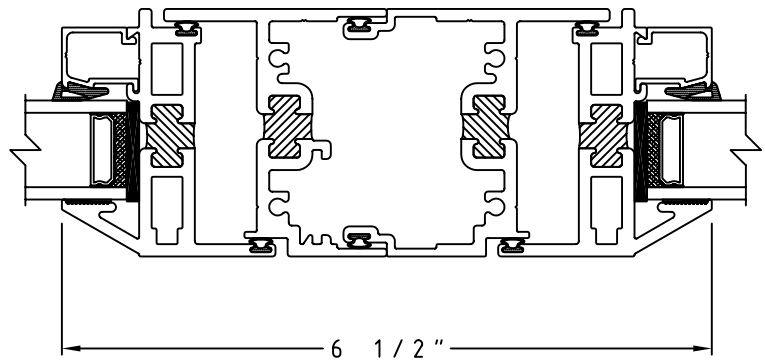


8A 2 1/2" Flange Projected Out Head Detail

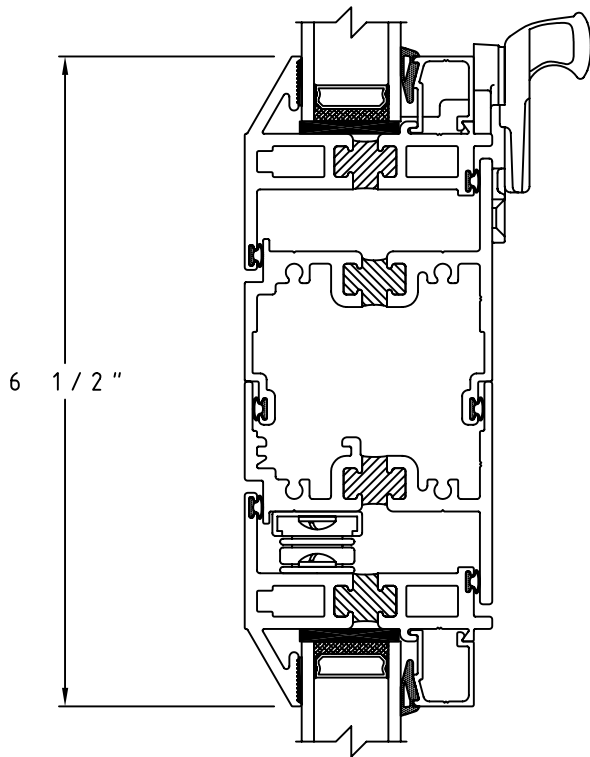
SCALE: HALF



9A 2 1/2" Flange Projected Out Jamb Detail



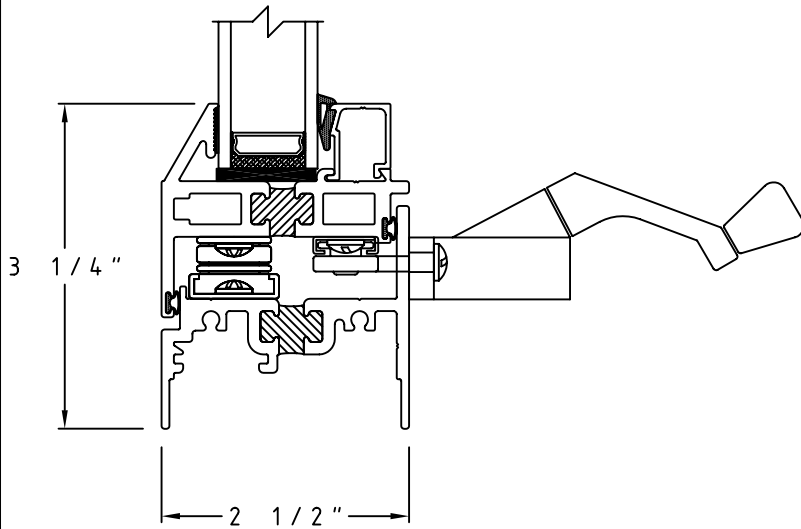
11A Casement Out/Casement Out with Male-Female Mullion



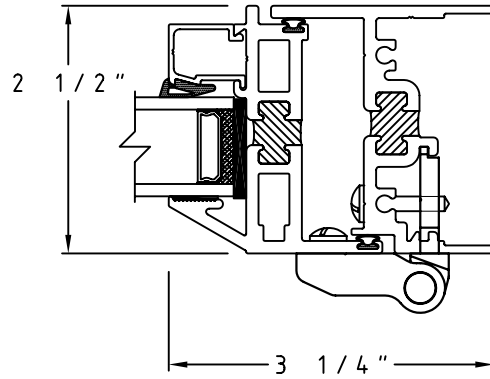
10A Projected Out/Casement Out with Male-Female Mullion



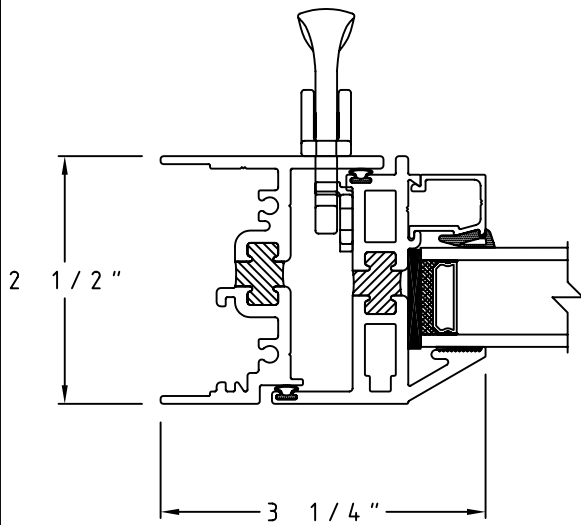
SCALE: HALF



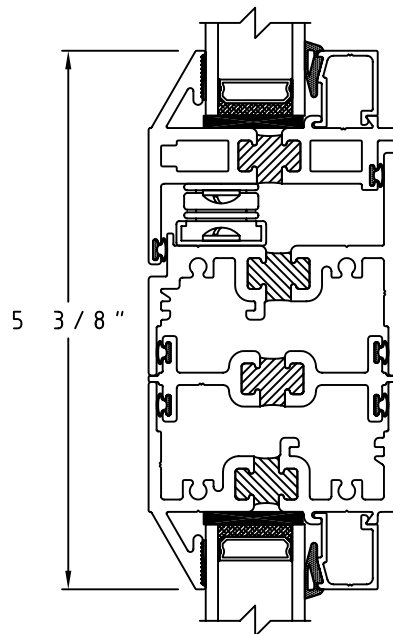
②B Sill with Roto Crank Detail



④B Jamb Butt Hinges Detail

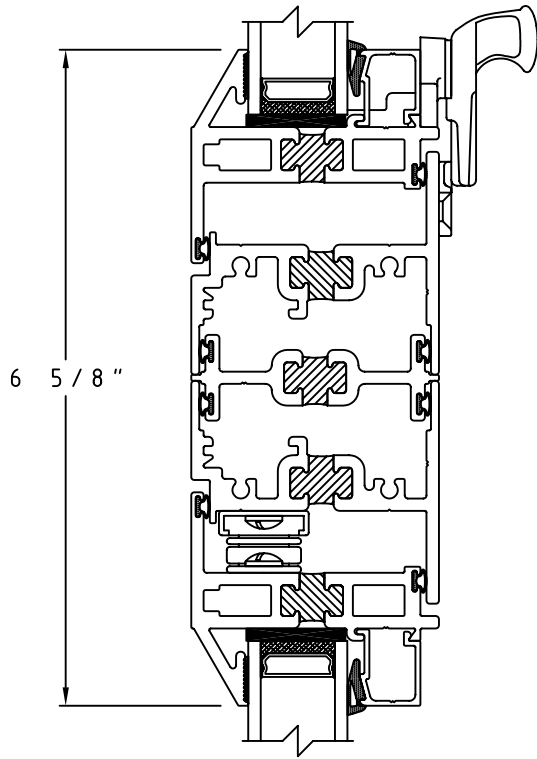


③B Jamb with Multi-Point Lock Detail

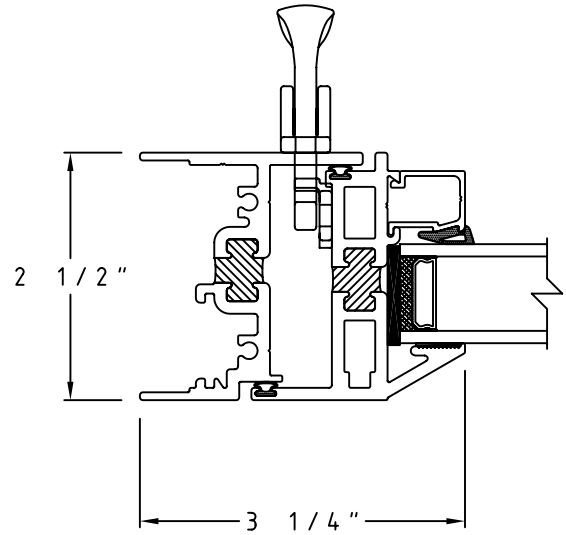


⑤B Casement Out/Fixed with H Mullion

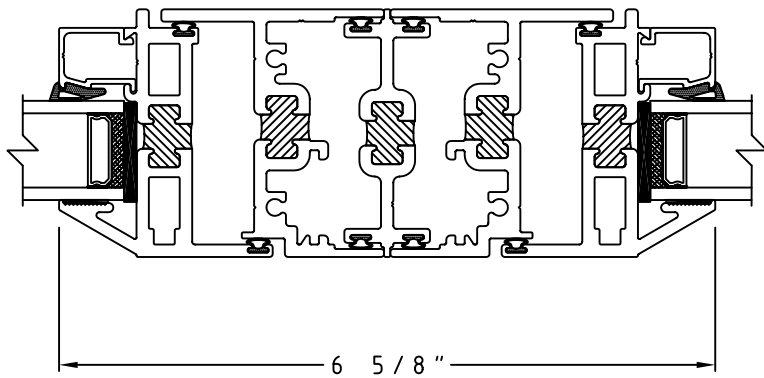
SCALE: HALF



10B Projected Out/Casement Out with H Mullion



3C Jamb with Single Point lock Detail



11B Casement Out/Casement Out with H Mullion